

W6OTX**W6ARA****PAARA NEWSLETTER**
VOLUME 68, NUMBER 10, October 2017**K6OTA****K6YQT**

PAARAgraphs



The Official Newsletter of the

Palo Alto Amateur Radio Association, Inc.Celebrating 80 years as an *active* amateur radio club—Since 1937<http://www.paara.org/>

Hazards, Risks & Emergency

Operations in the Palo Alto Area

Ken Dueker

Humans, by our nature, have trouble understanding hazards and risk and taking appropriate action. The City of Palo Alto is one of the first cities in the Bay Area to have undergone a new FEMA process that applies best management practices to these topics. Known as the Threat and Hazards Identification and Risk Assessment (THIRA), the report for the Palo Alto area may surprise you: www.cityofpaloalto.org/thira

Ken Dueker, the Chief of the Office of Emergency Services (OES), will be our guest speaker to guide us through THIRA and how all of us can and should prepare for various scenarios. The City's OES is a public safety department that not only works on such risk assessments but also deals with topics ranging from earthquakes to terrorism. Learn more here: http://www.cityofpaloalto.org/services/public_safety/office_of_emergency_services

Upcoming Events

Oct 6	PAARA General Meeting, 7:00 PM
Nov 3	Cubberly Community Center, Room
Dec 1	H-6, 400 Middlefield Rd, Palo Alto
Oct 18	Board Meeting, 7:00 PM
Nov 15	Everyone welcome!
Dec 20	Location: Marty, W6NEV, QTH



some exciting PAARA activities coming up around the end of the year that I want to tell you about.

I recently returned from JA. I didn't have any time to operate, but I did finally pick up my JA license certificate, which had been sitting at my house. It's great to have the paper in my hand finally. My trip this time was very special. My son Christopher, KG6SVI, and my niece Hillary, who lives in Florida, came with me. We stayed in Kamakura and commuted to Tokyo for most of our activities, which mostly consisted of taking in some tourist sites (unusual for me), and getting some fun food. Midweek we took the Shinkansen to southwestern Japan. First stop, Kyoto, the ancient capital of Japan. We went to Nijo Castle 二条城, the Heian Shrine 平安神宮 (featured in the movie *Lost In Translation*), Sanjyusangendo 三十三間堂 (a temple with 1000 buddhas), and Kiyomizu Temple 清水寺. We also went to the Gion district 祇園 because I wanted to eat kuzukiri 葛切り, something that Kyoto is famous for and a treat I hadn't had in 30 years. Look it up if you want to know what it is. From Kyoto, we took the

(President — Continued on page 4)

President's Corner

October 2017

It has been a very busy month again for me personally, including some ham radio activities. As I write this, we have just passed the fall equinox and that should give us some improved propagation. And, of course, this also means that the fall contest season is starting. We also have



The Elusive Ontario APE

Matt Manjos, W5MMW (/VE3)

I had the chance to operate portable /VE3 twice this summer, while on vacation to visit family at a cottage near Renfrew, Ontario, Canada. I had so much fun during my first week-long trip in July using only a Buddipole that I decided to plan an APE - August PSK Expedition - for the popular online PSK31 club PODXS070. I also planned on stepping up my station by deploying an OCFD antenna for this event.

An August PSK Expedition is a challenge to set up a radio station away from your regular QTH and make as many PSK31 contacts as you can during the month of August. To qualify for the PODXS070 award, you must make at least 20 PSK31 contacts at least 20 miles away from home.

Shortly after arriving to the portable QTH at FN15ne, I started planning on how to get my Radiowavz DX80 Off-center Fed Dipole up in the air. I decided to use two tall trees which happened to be spaced apart over an ideal flat clearing. After stringing up some paracord guy ropes and shortening the legs of the dipole to be resonant around 20m, I was happy that the placement of the antenna found it quite flat and level to the ground once raised.

I was pretty thrilled shortly after getting on the air with this new OCFD. At my regular QTH in Redwood City, California I'm limited to apartment patio operation using only a magnetic loop or Buddipole. Getting out into the open with a low noise floor and a wire antenna at about 30 feet made an incredible difference. I managed to work Germany, Italy, Puerto Rico and the Dominican Republic in only the first hour! Unfortunately, it was at the end of this first hour on the air that the problems began...



Off Center Fed Dipole

My rig, a new Icom IC-7200, started complaining of high SWR every time the transmit power was raised above 15W. After a lot of troubleshooting with two other antennas and feedlines (checked for resonance + SWR with a trusted analyzer), I was pretty certain there was something bad happening inside the rig. I was fearful at first that the problem might have been in the final output transistors, but some research online suggested that others had similar woes on the IC-7200 that were eventually traced back to the SWR sensing circuitry being poorly connected inside the radio.

This meant that for most of the trip, I was limited to 15W (which ended up being more than enough for PSK). On the bright side, Rx was not affected at all and the rest of my station (Battery and Solar power, Chromebook laptop running fldigi on Linux) was deployed without incident. Every once and a while, I'd try teasing the TX power beyond this 15W point and occasionally the rig would recover and work properly for a while. The problem would inevitably come back, however, so I'm probably going to have to send the radio in for warranty service.

I had a lot of fun and made the majority of my QSOs during the Solar Eclipse QSO Party on Monday, August 21. At our latitude in Ontario we didn't see much of a change in sunlight during peak eclipse, but the air did cool off and the gusting wind we had during earlier in the morning had completely ceased. Just as the wind had settled down during peak eclipse, so did propagation on 20m. It became much more difficult to work other participants, and signal-to-noise reports from repeat con-

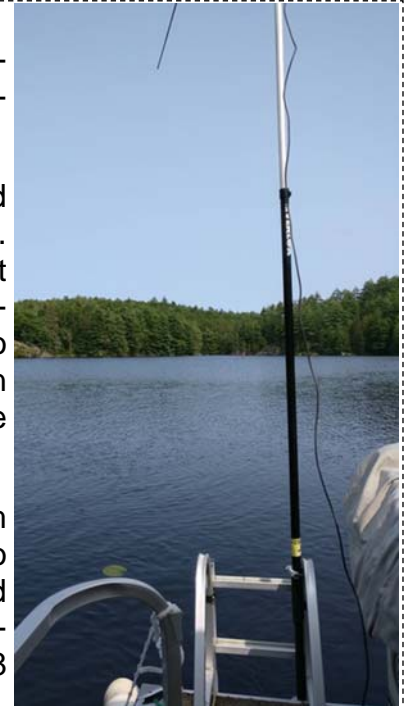
(Ontario APE — Continued from page 2)

facts (whom I had worked earlier at 25+ dB) were coming in at single digits. Finally, once the eclipse had passed, reports from those repeat stations returned to what they were like at the beginning of the event.

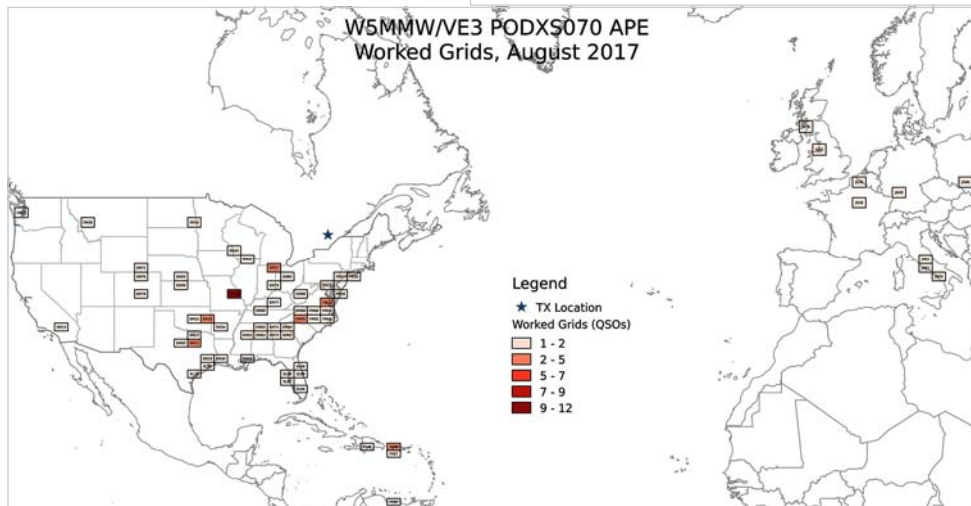
Another big highlight of my trip was working Stan (W9SMR #1611) and Bob (KC9UR #1620), who were also doing an August PSK Expedition. Their annual "Pontoon Portable" APE takes place from a pontoon boat on Round Lake, Indiana and overlapped with the end of my trip. I decided it would be fun to not only make an APE-to-APE contact, but also to make it Pontoon-to-Pontoon as I had access to my family's pontoon boat. On Friday afternoon (August 25), I rigged the Buddipole onto the side of the boat and set out onto the lake.

I ended up being lucky enough to work Stan and Bob on the 20m, 30m and 40m bands while underway. It was tons of fun to chase after the duo throughout the afternoon, quickly working to re-tune the setup and change bands to follow them. We also tried several times to make a contact happen on 17m, but busy spectrum from the hugely popular FT8 mode combined with propagation conditions conspired against us.

In the end, I managed 101 PSK31 contacts with 79 unique stations during the week-long APE operation. Among them, 22 were also PODXS070 club members. I had tons of fun and want to send a big "Thank You!" everyone in the log (and also to those who might have been searching for me). I'm definitely planning to do another expedition next year, even if it doesn't happen /VE3 portable. The biggest improvement I want to make next year is to operate on more bands. The difficulty of re-tuning the OCFD made it desirable for me to stick to 14.070 this year, but I want to make sure the next APE happens with more variety.



Pontoon Portable with a Buddipole!



**PODXS070
APE
Worked Grids
August 2017**

(President — Continued from page 1)

Shinkansen again to Hiroshima. I have been there many times, but I wanted “the kids” to see it. It was raining when we got there, which made for an appropriately somber mood. We went to Peace Memorial Park, where one building is preserved from the explosion. It’s called the A-Bomb Dome, or 原爆ドーム in Japanese. We also went to the museum there. It was a moving experience. From there we went to an island about 45 minutes away by train and ferry called Miyajima 宮島. It’s famous for its giant gate away from the beach, which can only be accessed at low tide. There are also many deer that live there and are completely used to humans being around. In fact, they’re pretty aggressive and will eat your clothing, hair, or anything you’re carrying. You have to be careful! I also arranged a meeting between Hillary and my Japanese niece, neither of whom spoke each other’s language. The whole trip was an amazing journey of the heart.

After my return, I went to Torrance the following weekend for Hamcon. It’s a hamfest that rotates around to revisit Torrance periodically. I ended up giving 3, yes 3, talks there. Good thing I had some water. I was invited by Diana, AI6DF, the LAX Section Manager. She is working very hard to promote amateur radio in the LA area. Hamcon was one of the biggest hamfests I’ve been to outside of Pacificon. Following that, I was in San Diego giving my Ground Is A Myth! talk to a very skeptical San Diego Chapter 36 of the Society of Broadcast Engineers. I think they were all converted by the end, though. That’s enough travel for now, though. I’m exhausted and just want to stay home for a while.

Have you noticed the shorter days? I have. It also means that the ionization levels are changing in a way that helps HF propagation. We should see some better action on 20m, at least. It’s a great time to jump into a contest and see if you can snag some DX, if you don’t work the contest seriously. And, of course, one of our favorite contests is about to happen: The California QSO Party. It’s on October 7th and 8th, and starts the morning after the PAARA

meeting. And the CQWW DX SSB is at the end of October.

A few things to keep your calendar open for. Pacificon is October 20-22 at the San Ramon Marriott. The November PAARA meeting is on the 3rd. PAARA elections and the Dream To Reality Raffle happen on December 1st - another KX3 can be yours for a dollar. And we’ve gotten the go-ahead to do another PAARApLink soon. We’re thinking maybe April. We’ll finalize that as we get closer. That’s it for now. CU ON HF AND AT PAARA DE K6WX

PAARA in Days Gone By - 1972

Greg Cook, KE7DO

Did you know that in 1972 PAARA meetings were held at the Veteran's Memorial Building in Redwood City and that the annual dues were \$4.00? I didn't see any mention of a family membership.

From the “Stranger than Fiction” department, the March, April, and May issues each reported on a plan to put an amateur radio repeater on the moon. According to the articles, the repeater was supposed to be powered by a small nuclear reactor that was expected to last for 87 years. Take a look at page seven of the May issue to see what the fuel for the power supply was going to cost. Any idea why this project didn't make it...or did it?

1972 closed with a notice in the December issue about the record attendance of 24 members at the previous meeting. To put this in perspective, take a look at the March issue which reports that a recent study found there were 372 hams living within fifteen miles of the club.

Jumping ahead 15 years—take a look at the October 1987 issue to see the announcement of PAARA's 50th anniversary. The centerfold is a copy of the charter that shows the date PAARA was originally chartered by the ARRL: July 10, 1937. Happy 80th, PAARA!

You can read more about PAARA's fascinating history for yourself at <http://paara.org/pages/newsletter.html>

Sept 20, 2017 Board Meeting Minutes

The meeting was held at Marty's QTH, commencing at 7:06 PM on September 20, 2017. In attendance were Kristen McIntyre, K6WX (Pres), Marty Wayne, W6NEV (VP), Jim Thielemann, K6SV (Secretary/Membership), Ron Chester, W6AZ (Treasurer) via videoconference, Darryl Presley, KI6LDM (Dir), Walter Gyger K6WGY(Dir), Larry Rebarchik, N6DB (Dir), Joel Wilhite, KD6W (Dir & Technical Coordinator); and non-board member Clark Martin, KK6ISP, (ASVARO Representative). A quorum was present.

Kristen, (K6WX), having flown into town during the early part of the meeting, she had no opening comments. She did provide input on important topics once she arrived.

Kristen mentioned her reserve of stories has improved a little but is still very thin. Please, if you've committed to a story but not submitted it (there are several people out there fitting this category) put pen to paper or fingers on the keyboard and let your creative juices flow! Do you have any projects, Field Day experiences, technical articles, hints n kinks, DX contacts, or experiences setting up your station or antenna, on the air experiences that might be of interest? If you have not previously drafted that story or have a new story, now is the time to get a byline of your own in PAARAgaphs and get that story submitted to Kristen for publication. "Remember it is 'home grown' stories that make PAARAgaphs great", she said.

Vice President's Report: Marty, W6NEV, reported that the October speaker will be Ken Dueker, KB6BPM. His presentation is on the "Hazards, Risks & Emergency Ops in Palo Alto". Marty also reported that he has speakers for November and December. However next year is a bit light, if you know of a potential speaker, please let Marty or a board member know. Marty also mentioned, that no one has come forward to take over the coffee and cookies at PAARA meetings, thus there will be none at any meetings until someone is found to takeover. If you wish to step up and takeover this job, let a board member know.

Secretary's report: Jim, K6SV, reported that there were no new members in August or September. The membership stands at 189. He also commented that all the PAARA Banquet payments received through PayPal were refunded on September 3rd.

Treasurer's Report: Ron, W6AZ, advised the board

that proceeds from last two months were on par for this time of year. Ron didn't have any information yet on the results of the EFM (Electronic Flea Market) PAARA sponsored in August. The board discussed the rough number of items sold and conclude that we made a few dollars, but seemingly fewer than last year.

Under Old Business

As you recall, on February 6th, the PAARA board sent a letter to the ASVARO board requesting they call a general meeting of all participating clubs. A meeting with the ASVARO board and other clubs was held on May 6, 2017. Action items were documented, however, to date there still doesn't seem to be much of any action on any of the items discussed at the meeting except the creation of a Face Book account. Darryl, KI6LDM, did have a conversation with Mikel, KN6QI, at the PAARA sponsored EFM and learned there may be a small crack in the ice when it comes to selling other food than is currently being sold. After a lively discussion, Joel, KD6W, volunteered to investigate this item further. The outcome of the investigation is completely unknown at this time thus any direction other than what we are doing now is premature.

Darryl, KI6LDM, updated the board on his data mining for Bay Area hams who have either renewed or received their 1st licenses. As there was no board meeting last month, Darryl reported around 65 hams in July and 28 in August were newly licensed. Darryl also reported that Rachel, KK6DAC, volunteered to affix mailing labels to cards and get them in the mail. Darryl volunteered Jim, K6SV, to produce the labels. The only item left is to create the card. Marty, W6NEV, will email out some options to the board for review. There was a discussion on what the card should say and the idea Rachel had on providing a "path" for new hams to get on the air at PAARA meetings as the ARRL reported this month that a large percentage of newly licensed hams never get on the air or have a radio.

The board had a short discussion on why the PAARA banquet signups were so low and what to do next. Kristen, K6WX, commented that she talked to several members that wanted to go but just never got around to signing up. Several ideas were discussed resulting in the idea of using Survey Monkey to gather more information from the membership. Look for an email in the near future

(Minutes — Continued from page 5)

with a link to the survey.

Marty, W6NEV, updated the board on the status of the preparation for the Pacificon W1AW/6 special event station. A few PAARA members have stepped up to assist but there is still plenty of room for more help. Please let Marty or a board member know if you wish to help setup, watch the station during Pacificon or tear the station down (on Sunday).

Marty also mentioned his being low on PAARA T-shirts. The board discussed his stocking proposal and the value of having shirts when someone wishes to purchase one. In the end, the board voted to restock the supply of shirts.

There are several other items on the agenda that haven't been worked on very much or could wait until the next meeting, thus at this point there is no new news on them.

Under New Business

Kristen, K6WX reminded the board that it's election "season". She announced that Clark, KK6ISP, agreed to be the election chair. He polled all the board members to determine if they will run again, all agreed to serve another term. All club members are encouraged to let Clark know if they wish to nominate a member or run for office themselves. Nominations open at the October 6th meeting and close at the end of the November 3rd meeting. All members with current memberships will vote at the December 1st meeting.

Kristen also mentioned that earlier in the month the board responded to a request by Jim, K6AK, our raffle master regarding the main prize for December's Dream to Reality prize. Between an email exchange and a straw poll at the board meeting, the board agreed to purchase the same KX3 prize as last year. So, start salting away your raffle money for the big one at the December 1st Dream to Reality meeting.

Kristen also mentioned receiving an email regarding the possibility of having another PAARApLink. Keep your eyes open for this one as it will likely happen sometime next year.

The Board meeting was adjourned at 9:07PM.


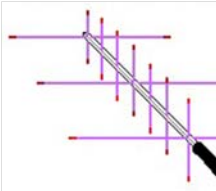
Jim Thielemann
 Secretary/membership
 K6SV



September Winners

- | | |
|-----------------|--|
| 4 th | Henry W6REK AC Charger for iPod / iPhone / iPad |
| 2 nd | Marty W6NEV Arrow Yagi |
| 7 th | Bob K6RWY Mobile Pro Portable Audio Accessory Kit |
| 1 st | Rachael KK6DAC Yaesu FT-25RE |
| 8 th | Rachael KK6DAC Precision Diagonal Wire/Lead cutter |
| 3 rd | Ned AC6YY CS201A Dual Coax Switch |
| 5 th | Mike KM6WP ARRL Low Power Communication Book |
| 6 th | Barry W9FFL 6 Piece Needle File Set |

October 6th PAARA Prizes

- | | | |
|-----------------|--|---|
| 1 st | BTech UV-25X4 VHF/
UHF Transceiver
Quad Band, Quad
Display, |  |
| 2 nd | Arrow II Model
146/437-10 element
Portable Satellite
Antenna, |  |
| 3 rd | Pro's Kit Cordless
Lighted Screwdriver
with adapters, bits, and charger. | |
| 4 th | 200 Lumen Cap Light, | |
| 5 th | 12 Piece Bit Driver Set, | |
| 6 th | Hako lead trimmer, | |
| 7 th | 11 Piece Precision Screwdriver Set, | |
| 8 th | Grilliput portable BBQ grill. | |

Palo Alto Amateur Radio Association, Inc.

PO Box 911 Menlo Park, CA 94026

Officers

President	Kristen McIntyre, K6WX	510-703-4942
	kristen@alum.mit.edu	
Vice President	Marty Wayne, W6NEV	408-246-7531
	mcwayne2@comcast.net	
Secretary	Jim Thielemann, K6SV	408-839-6815
	thielem@pacbell.net	
Treasurer.....	Ron Chester, W6AZ	408-243 2221
	ron@taxhelp.com	

Directors

Director ('17-'18)	Joel Wilhite, KD6W	408-839-5948
	kd6w@arrl.net	
Director ('16-'17)	Walt Gyger, W6WGY	408-921-5901
	walt@tradewindsaviation.com	
Director ('17).....	Larry Rebarchik N6DB	650 465-8210
	n6db@arrl.net	
Director ('17).....	Darryl Presley, K16LDM	650 255-2454
	ki6ldm@arrl.net	

Appointed Positions

Membership.....	Vic Black, AB6SO	650-366 0636
	ab6so@smrn.com	
Database	Jim Thielemann, K6SV	408-839-6815
	thielem@pacbell.net	
Chaplain	Rick Melrose K6RDM	408-341-9070
	K6RDM@yahoo.com	
Public Affairs	<i>Position Vacant</i>	
Station Trustee W6OTX, K6YQT, W6ARA....	Gerry Tucker, N6NV	
Station Trustee K6OTA...	Ron Chester, W6AZ	
Property Manager	Gerry Tucker, N6NV	
Fund Raising Coordinator.	Bob Korte, KD6KYT	408 396 4745
	bob@rgktechsales.com	
Badge Coordinator	Doug Teter, KG6LWE	650-367-6200
	dteter@wawi.com	
Historian Position	<i>Position Vacant</i>	
Raffle Coordinator	Jim Rice, K6AK	650-851-2274
Field Day Coordinator ...	Doug Teter, KG6LWE	650-367-6200
ASVARO Rep.....	Clark Martin, KK6ISP	
	kk6isp@comcast.net	
Webmaster	John Miller K6MM	
	webaron@gmail.com	
Technical Coordinator ...	Joel Wilhite, KD6W	408-839-5948
	kd6w@arrl.net	
QSL Manager	Marty Wayne, W6NEV	408-246-7531
Speaker Coordinator	Marty Wayne, W6NEV	408-246-7531

PAARAgaphs Staff

Editorial Board		
	Bob Van Tuyl K6RWY	Kristen McIntyre K6WX
	Ron Chester W6AZ	Vic Black AB6SO
	Joel Wilhite, KD6W	
Editor.....	Bob Van Tuyl, K6RWY	408 799-6463
	rrvt@swde.com	
Back Up Editor	Jim Thielemann, K6SV	408-839-6815
	thielem@pacbell.net	
Advertising.....	Walt Gyger, W6WGY	408-921-5901
	walt@tradewindsaviation.com	
Member Profiles	Diana Lloyd, KK6YGM	650-988-8882
	dianalloyd76@gmail.com	
Technical Tips	Vic Black, AB6SO	650-366 0636
	ab6so@smrn.com	
Photographer.....	<i>Position Vacant</i>	

VE Exams

Redwood City Main Library, Community Conference Room, 4th Saturday 10:30 am each month and De Anza Park, Sunnyvale, 2nd Saturday 10:30 am each month except November and December. See website for details and exceptions: <http://amateur-radio.org> or Contact Al, WB6IMX@att.net

Electronics Flea Market

Sponsorship by A.S.V.A.R.O. — Association of Silicon Valley Amateur Radio Organizations

Second Saturday of month, March-September, 6am–12 noon

Contact: <http://www.electronicfleamarket.com/>

PAARA — Palo Alto Amateur Radio Association

Meets 1st Friday 7:00pm each month at Room H-6, Cubberley Community Center; Net 145.230 - PL 100Hz Mondays at 8:30. See our website at <http://www.paara.org> for more information or contact: Joel Wilhite KD6W, KD6W@ARRL.NET, 650-325-8239

FARS — Foothills Amateur Radio Society

Meets 4th Friday each month at 7:30pm

Contact: <http://www.fars.k6va.org>

NCDXC — Northern California DX Club

Meets 3rd Thursday 7:30pm each month,

Repeater for member info 147.360, Thursday 8:00PM

Contact: <http://ncdxc.org> or Mike Gavin W6WZ, (650) 851 8699

QCWA Chapter 11

Northern California Quarter Century Wireless Association

Meets third Wednesday monthly at Harry's Hofbrau in Redwood City @ 11:30 AM.

Guests are welcome. Saturday morning net on 146.850 MHz, PL 114.8

50 MHz & Up Group

Meets 1st Thursday each month at 7pm in the Texas Instruments Building E conference room in Santa Clara.

Contact: <http://50MhzandUp.org>

SPECS

Southern Peninsula Emergency Communication System

Meets each Monday 8:00pm on Net 145.27, 440.80 MHz

Contact: <http://specsnet.org> or Tom Cascone, KF6LWZ, 650-688-0441

SCARES

South County Amateur Radio Emergency Service

Meets 3rd Thursday 7:30pm each month, Belmont EOC, Belmont City Hall, One Twin Pines Lane, Belmont CA 94002. Net is on 146.445 [PL 114.8] & 444.50 (PL-100) 7:30 Monday evenings. Contact: President Gary D. Aden, K6GDA 650-743-1265 (D), 650- 595-5590 (N)

Web: <http://k6mpn.org> E-mail: pres@k6mpn.org

SCCARA

Santa Clara County Amateur Radio Association

Operates W6UU & W6UU/R, repeater 146.985-pl

Nets: 2m, 7:30pm Mon; 70cm, 442.425+ (pl 107.2) Thur.

Meets 2nd Mon each month @ 7:30 PM.

Contact: <http://www.qsl.net/sccara> or Clark Murphy KE6KXO 408-262-9334

ARRL/VEC license testing contact 408-507-4698

SVECS — Silicon Valley Emergency Communications

Operates AA6BT repeater (146.115 MHz+)

contact: <http://www.svecs.net> or Lou Stierer WA6QYS 408 241 7999

TEARS — The Elmer Amateur Radio Society

Dedicated to operational training, knowledge building & FCC exam testing.

KV6R repeater under construction.

Contact: AA6T@ARRL.NET

Most members are Extra Class or VE's. See QRZ dot com/kv6r for class info

WVARA — West Valley Amateur Radio Association

W6PIY six-meter repeater on 52.58MHz. Normally, six-meters is linked with 147 and 223, while 441 and 1286 repeaters are linked.

VHF: 52.58 (-500) 151.4 ctcss UHF:

147.39 (+600) 151.4 ctcss 441.35 (+5.0) 88.5 ctcss

223.96 (+1.6) 156.7 ctcss 1286.20 (-12m) 100.0 ctcss

Meetings are 2nd Wednesday of every month except July, August and December.

Contact: <http://wvara.org>, Bill Ashby N6FFC, 408-267-3118, president@wvara.org


American Red Cross,

Santa Clara Valley Chapter

Contact: <http://santaclaravalley.redcross.org> or Scott Hensley KB6UOO, (408) 967 7924

shensley@Novell.com

(Please send changes to [PAARAgaphs editor](#))



James Farrey
 Sales Manager

James Electronics Ltd
 1355 Shoreway Road, Belmont, CA 94002
 Tel: 650•592•6718 x 350 Fax: 650•802•1520
 Direct: 650•802•1511 jfarrey@jameco.com

www.jameco.com

Your grandfather told your father and your father told you. If he had invested his money in real estate he would be a rich man today — what will you tell your children?

Whether to invest or reap the rewards of having invested in Real Estate, Call **KARL DRESDEN**, KJ6GUK, full time Realtor since 1976 — BRE#00525686

Terrace Associates, Inc., 777 Woodside Rd., Suite B, Redwood City, CA 94061; Office Ph: 650-369-7331,
 Fax Ph: 650-369-7339,

KARL Cell Ph: 650-274-8155 General License KJ6GUK
Email: KARLDRESDEN@juno.com


Badges are ready for pickup.

If you would like to order a badge, see **Doug Teter, KG6LWE.**

PAARA Weekly Radio Net
 Info and Swap Session every Monday evening at 8:30pm on the N6NFI 145.230 MHz repeater

<u>Week</u>	<u>Control Operator</u>
1 st	Joel KD6W
2 nd	Doug - KG6LWE
3 rd	Jack - W1VSL
4 th	Rob - KC6TYD
5 th	Rob - KC6TYD

If you're interested in trying out at Net Control, Contact Doug, KG6LWE. It's good practice, and lots o' fun! Give it a try.



Cubberley Community Center
 4000 Middlefield Road, Palo Alto, CA 94303
 650/329.2418
 650/856.8756 fax
www.cityofpaloalto.org

Legend
 Disabled Parking
 Public Pay Telephone

Meeting Location — Middlefield Road between San Antonio and Charleston in Palo Alto. 4000 Middlefield Road

<http://www.foto.mail.ru/list/shkurkin>

Vladimir Vladimirovich
 SHKURKIN
 Editing and Translation Services
 English-Russian-English
shkurkin@ix.netcom.com

Palo Alto Amateur Radio Association
 P.O. Box 911, Menlo Park
 California 94026-0911

Club meetings are on the first Friday of each month, 7:00pm at the Room H-6, Cubberley Community Center.

Radio NET & Swap Session every Monday evening, at 8:30pm, on the 145.230 –600 MHz repeater, PL 100Hz.

Membership in PAARA is \$25.00 per calendar year, which includes one subscription to PAARAgaphs \$6 for each additional family member (no newsletter).
 Make payment to the
 Palo Alto Amateur Radio Association,
 P.O. Box 911, Menlo Park, CA 94026-0911

Permission is granted to reprint from this publication with appropriate source credit.



This space Available

Ilse Beck, E. A. , KI6IBM
 Beck Business Services

441 N. Central Avenue, #9
 Campbell, CA 95008

Enrolled Agent
 Income Tax
 Bookkeeping/Payroll
 Elder Care
 Consultations
 Billing and A/R

Phone/FAX: 408-267-8234
 Email: ilsebeck@jps.net


Ron Chester
 Santa Clara
 (408) 243-2221
 Ron@taxhelp.com

Tax Preparation & QuickBooks Consulting - Ham discount



Photo For Any Occasion
WBY Photography
 Jack Of All Trades, Master Of Some.
Bill Young
 408-245-1161 or
 408-475-6191
 I come to you photographer.
 wbyphotography@me.com
 www.photoforanyoccasion.net

PAARA DMR Repeater Frequencies	
144 – 144.9625 up 2.5 MHz	DMR—NOR CAL Brandmeister Network
440 – 444.475 up 5 MHz	DMR
1.2G – 1284.15 down 12MHz	D-Star Voice
1.2G – 1249.15 half duplex	D-Star Data



PowerFlare® safety lights:
 Ultra-rugged 360 degree LED beacon
 for your emergency kit, car, home ...
Order on eBay (search for "PowerFlare")
 or email sales@powerflare.com

Silicone
RESCUE TAPE

**NO ADHESIVE!
 NO STICKY
 RESIDUE!** **8,000 V 500° F**
 ELEC. INSULATION HEAT RESISTANCE

The highest quality coax sealing tape on the market!

ENTER YOUR SPECIAL COUPON CODE TO GET THE PAARA DISCOUNT
 Order online at www.rescuetape.com - (702) 953-0968

Submit items to **PAARAgaphs** by the
3rd Wed to: rrvt@swde.com
 Text: .doc, .rtf, or .txt
 Photos: jpg, png or tiff

Subscription Problems? Contact Database
 Manager: Jim Thielemann, K6SV,
 408-839-6815, thielem@pacbell.net

PAARAgaphs Ad Rates

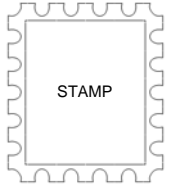
PAARAgaphs accepts paid advertisements from non-members. (short personal ads remain free for members in good standing). **All ad rates listed are per issue.**

- Not-for-profit ads by association members for ham-related items and wants. No cost for business card-size ads (additional space at \$2.50 per business card size per issue).
- For Profit organizations and/or individuals: \$5-business card size, \$25-half page, \$50 full page or back cover per issue.

These fees may be reduced or waived in exchange for a valuable consideration that is given to the Association or its general membership. Such consideration must be in addition to any existing arrangements with the association. The PAARAgaphs editors reserve the right to reject any ad deemed to be not in the best interest of the Association.
 All fees payable in advance by the year with "scanner-ready" copy or text-only ads. **Give payment and copy to Ron Chester, W6AZ**

PAARAgaphs — October 2017

Accept no substitutes. Produced and printed in California USA



Palo Alto Amateur Radio Association, Inc.
 PAARAgaphs Newsletter
 P.O. Box 911
 Menlo Park, California 94026

FIRST CLASS MAIL



HAM RADIO OUTLET

MULTI-STORE BUYING POWER!

ICOM



IC-7600
All Mode Transceiver



IC-7200
HF Transceiver



IC-7100
All Mode Transceiver



ID-5100A Deluxe
VHF/UHF Dual Band Digital Transceiver



ID-51A Plus
VHF/UHF Dual Band Transceiver

KENWOOD



TS-590S6
HF/50MHz Transceiver



TM-D7106
2M/440 Dualband



TM-V71A
2M/440 Dualband



TM-281A
2 Mtr Mobile



TH-D74A
2M/20/440 HT

YAESU
The Radio



FT-991A
HF/VHF/UHF Transceiver



FDX1200
100W HF + 6M Transceiver



FT-450D
100W HF + 6M Transceiver



FTM-400XD
2M/440 Mobile



FT-60R
2M/440 5W HT



- RETAIL LOCATIONS - Store hours 10:00AM - 5:30PM - Closed Sunday
- PHONE - Toll-free phone hours 9:30AM - 5:30PM
- ONLINE - WWW.HAMRADIO.COM
- MAIL - All store locations

HRO is family owned and operated by active Ham's!

AMHERST, CA (800) 834-8016	OKLAHOMA, CA (877) 882-1145	PORTLAND, OR (800) 785-4287	PHOENIX, AZ (800) 595-1588	MILWAUKEE, WI (800) 552-4411	WOODBRIDGE, VA (800) 444-4799	PLANO, TX (877) 453-9130
BURBANK, CA (877) 892-1748	SAN DIEGO, CA (877) 520-9823	DENVER, CO (800) 444-9476	ATLANTA, GA (800) 444-1927	NEW CASTLE, DE (800) 644-4478	SALEM, NH (800) 444-0047	ONLINE STORE WWW.HAMRADIO.COM

Contact HRO for promotional details. Shipping including Hawaii, Alaska and Canada. Call will be routed to the nearest store. All HRO 800-numbers can assist you. If the first time you call is busy, you may call another AZ, CA, CO, GA, TX, VA residents add sales tax. Prices, specifications and descriptions subject to change without notice.